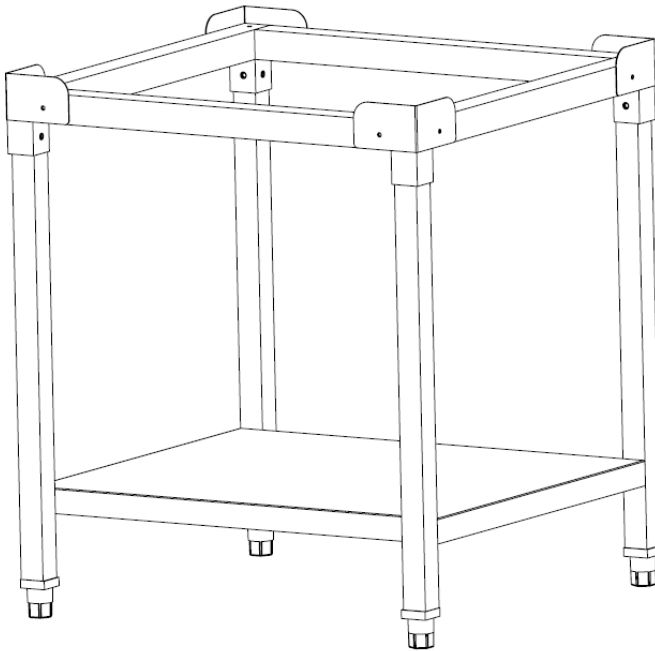




FRYER STAND



OPERATION MANUAL

Contents

Introduction	1
Packaging	1
Installation	1
Exploded View	3
<hr/>	
Spare Parts List	4

Introduction

Thank you for purchasing the BUFFALO Fryer Stand. Before operating this product, you should read through the instructions and hints in this manual. This will help you enjoy effective, trouble free results whilst using the product. Keep the instructions in a safe place for future reference.

BUFFALO will not accept liability for product failures in the event that:

- * The instructions in this manual have not been followed correctly.
- * Unqualified personnel have adjusted the Fryer Frame.
- * Non-original spare parts are used.

Packaging

All BUFFALO products are inspected and tested prior to packing.

This product consists of the following parts :

- *Upper frame assembly
- * Lower shelf
- * Legs x 4
- * Fixing screw -- 12pcs

If any of these parts are found to be missing or damaged on arrival, you must contact your supplier immediately.

Installation

Remove the Fryer Stand from the packaging, ensuring that all protective packaging, plastic and residues are cleaned from its surfaces. Layout all components of the stand on the floor ready for assembly. You will need a n Allen key to assist in the assembly process.

Step 1 –

· Using the upper frame assembly, take the 4 legs and slot them into the corner positions and fix with the screws. Do not tighten the screws

· Step 2 –

· Take the lower shelf and position between the legs and insert fixing screws, do not tighten the screws

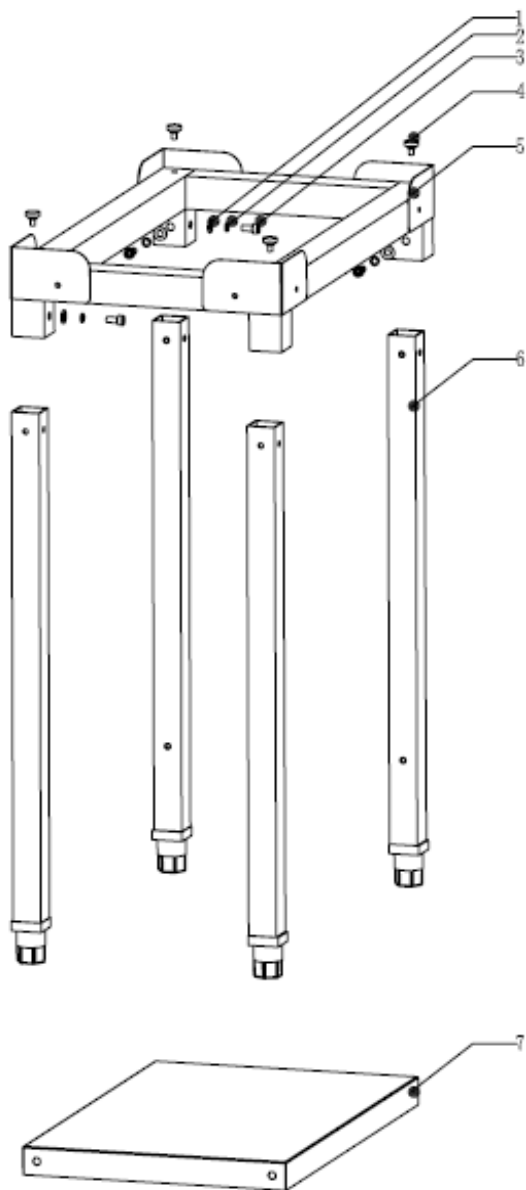
· Step –3

· Place the stand upright, and begin to tighten all screws ensuring the stands remains level and balanced.

· Step 4 –

· Locate the stand, in its final position and adjust the adjustable feet into a level position. Your fryer can now be placed onto the stand.

Exploded View



Spare Parts List

NO	DESCRIPTION	QTY	CODE
1	Washer($\Phi 6 \times \Phi 12 \times 1.6$)	12	66.02.1810005
2	Spring washer($\Phi 6 \times 1.6$)	12	66.02.1810015
3	Screw(M6*10)	12	66.01.1800045
4	Rubber	4	02.12.1165013
5	Upper frame assembly	1	06.05.1471829(Single fryer stand)
		1	06.05.1471831(Double fryer stand)
6	Leg assembly	4	06.05.1471833
7	shelf	1	01.05.1028575(Single fryer stand)
		1	01.05.1028608(Double fryer stand)



Please keep this manual in a safe place for future use!